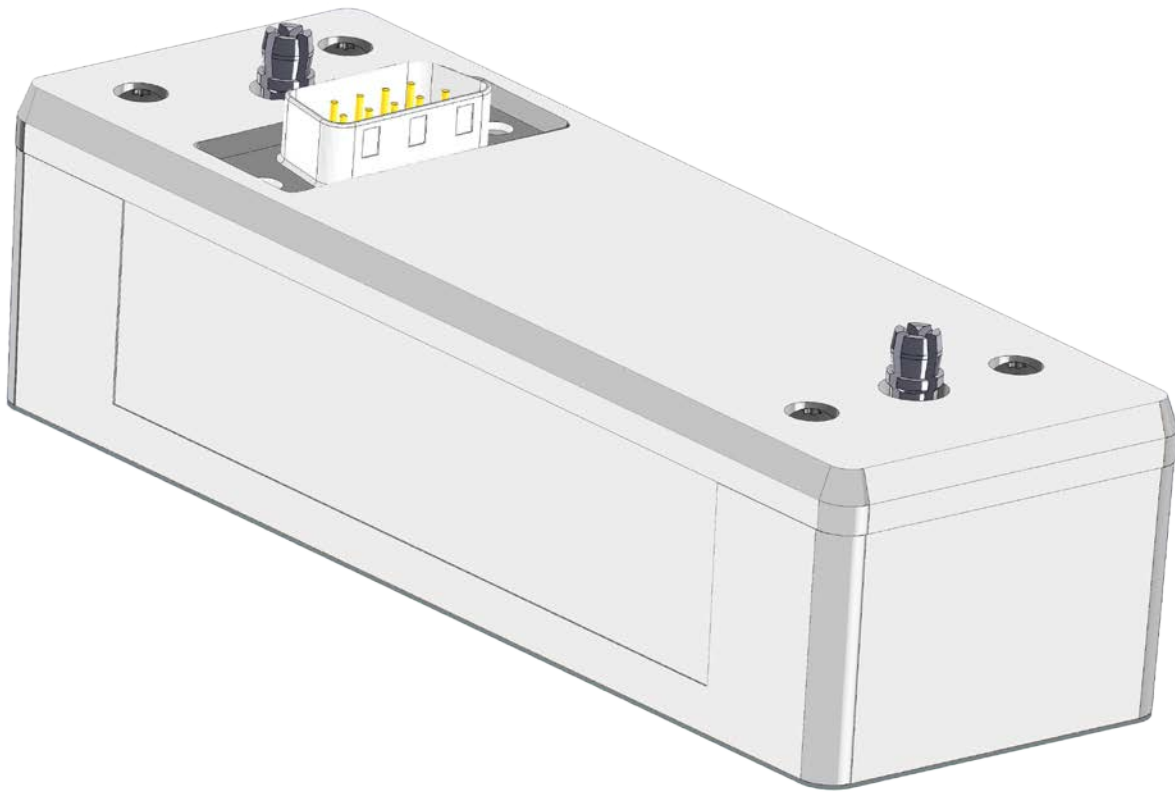


smartPAR™ Module

Wireless Control Unit

Installation Guide



Product Code: 9000-5020
Product Description: smartPAR Module



Installation Guide | LumiGrow® smartPAR™ Module

Thank you for choosing LumiGrow as your preferred LED lighting solution!

Committed to providing the most responsive customer service, the LumiGrow customer support team is always only a call or click away. **To reach support, visit <http://lumigrow.com/support> or call (800) 514-0487.**

Safety First - IMPORTANT

Read, follow, and heed all warnings and precautions.

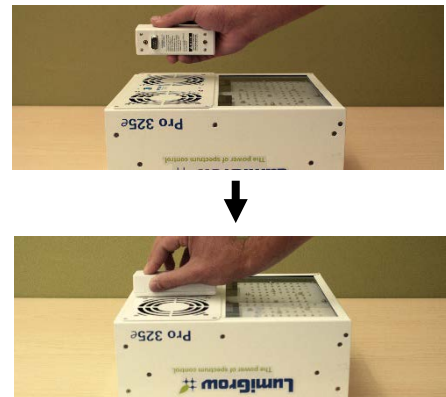
Turn off all AC power to light fixture and wait 30 seconds before connecting or removing smartPAR modules. Failure to do so may damage the smartPAR module/fixture, and void the module/fixture warranty.

- Do not immerse the module in water, spray-fog the module with chemicals/fertilizers, or clean with a high-pressure jet system of any type
- The smartPAR DB-9 port is for use with LumiGrow smartPAR modules only. Plugging in any other devices could damage the fixture and void the warranty.
- This equipment has been tested and found to comply with the limits for a Class B digital device, pursuant to part 15 of the FCC Rules.
- This Class B digital apparatus complies with Canadian ICES-003. Cet appareil numérique de la classe B est conforme à la norme NMB-003 du Canada.

smartPAR™ Module-Fixture Attachment

Attach the module to the fixture per the below two steps:

1. Turn off all AC power.
2. Carefully remove the dust cover over the DB-9 connector. A small screwdriver may be helpful.
3. Orient the two DB-9 connectors together and carefully insert the smartPAR module. The module has two broaching fasteners that lock in place when the module is fully inserted. When fully inserted, there should be no gap between the smartPAR module and fixture.
4. Log on to www.smartpar.lumigrow.com



smartPAR™ Network Equipment

The smartPAR network infrastructure is based on industry standard Internet protocols. Each smartPAR module communicates via IEEE 802.11n WiFi to wireless access points. These wireless access points connect to a LumiGrow specified network infrastructure (sold separately), and utilize your Internet connection to enable control and monitoring anywhere, anytime.

To order your complete smartPAR network solution, contact your LumiGrow sales associate. LumiGrow can provide industry standard and scalable network solutions for your specific light plan needs.

Disposal Instructions

Contact your local waste management company or the nearest collection site to dispose of Electrical and Electronic Equipment waste, per local and state requirements

Please refer to www.lumigrow.com for warranty and return policy information

Due to continuous improvements and innovations, specifications may change without notice.



PN #770-00004-B
LumiGrow Inc.
(800) 514-0487; info@lumigrow.com
1480 64th St #150, Emeryville, CA 94608