



smartPAR™ Light Sensor Module

Smart Horticultural Lighting



Installation Quick Start Guide

Thank you for choosing LumiGrow as your preferred LED lighting solution! Committed to providing the industry's best customer service, the LumiGrow customer support team is always only a call or click away.

To contact LumiGrow support, visit www.lumigrow.com/support or call **(800) 514-0487**



Safety Warning and Warranty Precautions

Turn off all AC power to light fixture and wait 30 seconds before connecting or removing smartPAR™ modules. Failure to do so may damage the smartPAR™ module/fixture, and void the warranty.

- Never immerse the module in water.
- Never spray or fog the module with chemicals/fertilizers.
- Never clean with a high-pressure jet system of any type.
- The smartPAR DB-9 port is for use with LumiGrow smartPAR™ modules only. Plugging in any other devices could damage the fixture and void the warranty.
- See details of the warranty at www.lumigrow.com

Certifications

This equipment has been tested and found to comply with the limits for a Class B digital device, pursuant to part 15 of the FCC Rules. This Class B digital apparatus complies with Canadian ICES-003. Cet appareil numérique de la classe B est conforme à la norme NMB-003 du Canada.

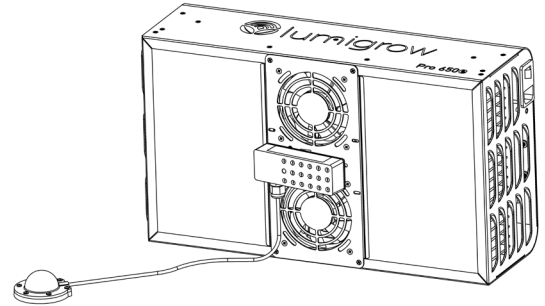


Getting Started

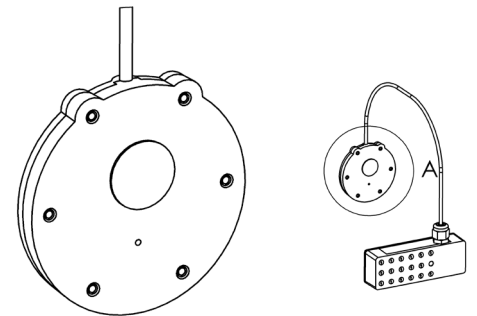


WARNING: Turn off all AC power to light fixture and wait 30 seconds before connecting or removing smartPAR™ modules. Failure to do so may damage the smartPAR™ module/fixture, and void the warranty.

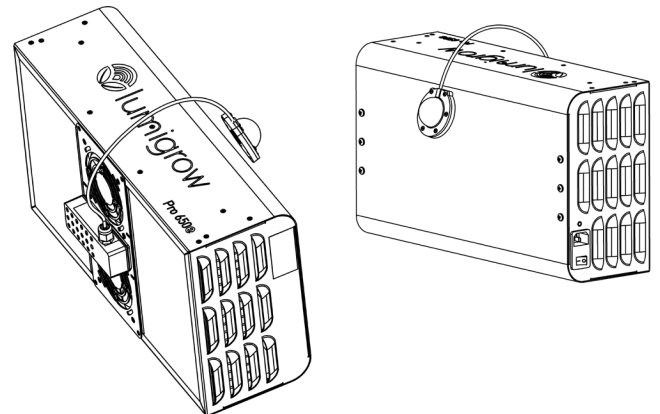
1. Turn off all AC power.
2. Carefully remove the dust cover over the DB-9 connector. A small screwdriver may be helpful.
3. Orient the two DB-9 connectors so that they line up properly, and carefully insert the smartPAR™ module. The module has two broaching fasteners that lock in place when the module is fully inserted. When fully inserted, there should be no gap between the smartPAR™ module and fixture.



4. Remove the adhesive backing from the underside of the smartPAR™ light sensor module and press the light sensor onto the top of the fixture. ** NOTE – the adhesive is extremely strong and is single use only. Once the light sensor is affixed to the fixture, it cannot be repositioned. Hang your LumiGrow Pro Series E fixture at the appropriate height and spacing for your particular facility, or as specified by a LumiGrow representative.



5. Hang the fixtures according to the fixture installation guide that came with your fixtures.
6. Power on AC mains. It may take a few minutes for the fixtures to connect to the network and then turn on.
7. Log on to www.smartpar.lumigrow.com to program the fixtures and use the smartPAR™ light sensor. More details are at www.lumigrow.com. Contact your LumiGrow representative for additional assistance.



Disposal Instructions

Contact your local waste management company or the nearest collection site to dispose of Electrical and Electronic Equipment waste, per local and state requirements